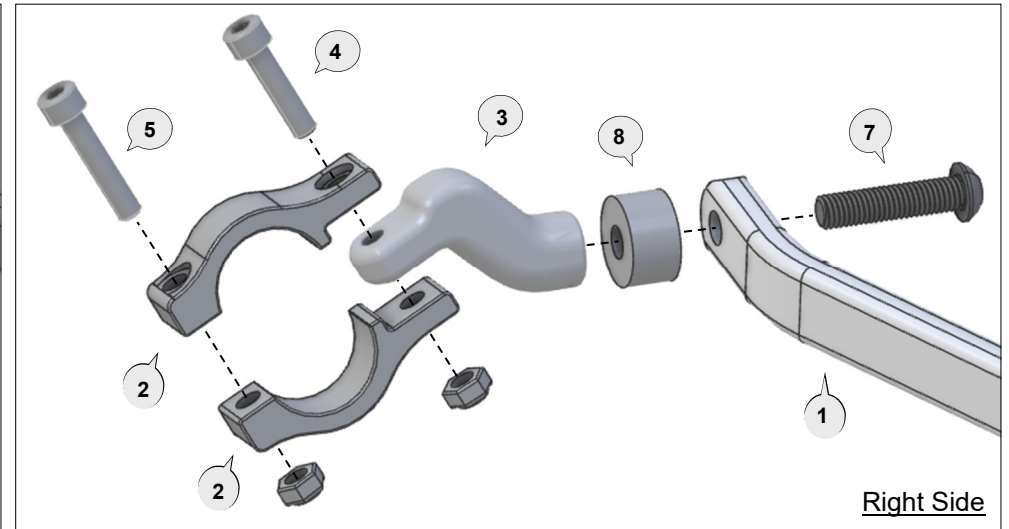
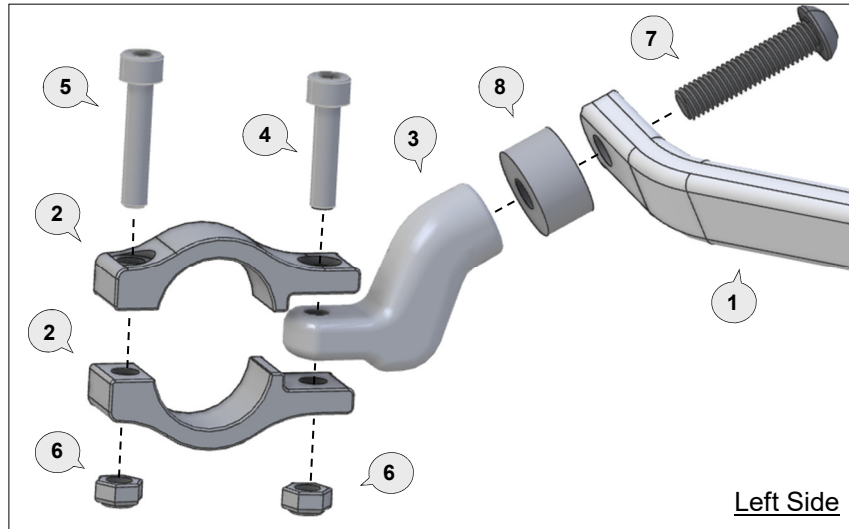
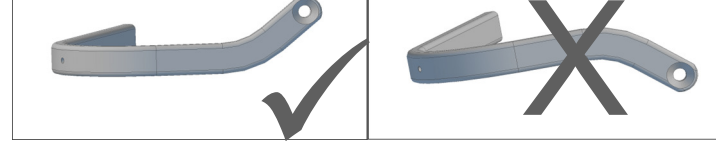


## Preparation

Remove the original handguards (if fitted) and original bar end weights.  
The brake Master cylinder needs to be moved as close as possible to the switch block.

Bar Side View



## Fitting Procedure for left side

Loosely assemble clamp (2) to handlebar as per diagram. Attach backbone (1) with applicable parts to the handlebar end, and also to the clamp connector (3).

**Note:** Preferred backbone position is horizontal when viewed from side.

Tighten bolt (12) at the handlebar end.

Tighten Clamp bolts in the following order:

**Tighten bolt (7)** through the aluminium bar (1) to the clamp connector (3) of the clamp assembly.

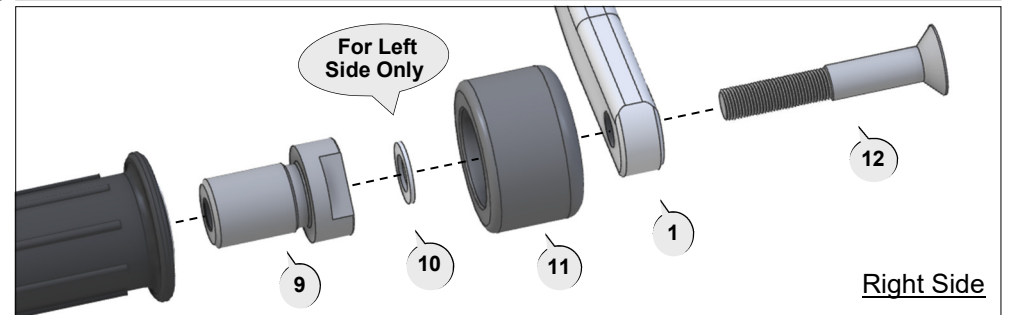
**Tighten bolt (4)** to solidly lock the clamp connector (3) between the clamp saddles (2).

**Tighten bolt (5)** to secure the clamp assembly firmly to the handlebar.

**Note:** The clamp is designed to allow the nut (6) on bolt (4) to pull into the recessed hole.

This eliminates the need for a wrench after the bolt starts to tighten.

Repeat the above procedure for the right side with the applicable parts shown on above diagram.



**1** Aluminium Bar




PN: BAR-V055  
Pcs. 1 Left & 1 Right

**2** Clamp Saddle



PN: CS-00  
Pcs. 4

**3** Clamp Connector



PN: CP5  
Pcs. 2

**4** Socket Head Bolt 25mm



PN: M6x25SHCSZP  
Pcs. 2

**5** Socket Head Bolt 30mm



PN: M6x30SHCSZP  
Pcs. 2

**6** Nylock Nut



PN: M6LN  
Pcs. 4

**7** Button Head Bolt 35mm



PN: M8x35BHCSZP  
Pcs. 2

**8** Spacer (12mm)




PN: S7-SP12  
Pcs. 2

**9** Bar End Fitting



PN: BESF4-V3  
Pcs. 2

**10** Washer



PN: M8FW-SS  
Pcs. 1

**11** Bar End Weight



PN: BEW-35  
Pcs. 2

**12** Flat Head Bolt 45mm



PN: M6x45FHCSZP  
Pcs. 2

**Personalise Your Protection**  
Guard options sold separately

**JET** JET-003  
**VPS** VPS-003  
**Storm** STM-003  
**CARBON** BCF-003

Recommended Torque Settings	
M6	10 Nm (7.4 lbf ft)
M8	28 Nm (20.7 lbf ft)

**CAUTION:**

Installation of the handguard is safety-relevant work and can be complicated. We recommend the installation be performed by a motorcycle service technician. Rideworx accepts no liability for damages caused by improper mounting. All screws, bolts and nuts, including all replacement hardware provided by Rideworx, should be tightened to the torque specified in the below table. After the first 50km of riding check all screws, bolts and nuts are tightened to the correct torque. We recommend a medium strength liquid thread lock product on all fasteners.

**WARNING:**

It is important there is a working clearance (approx 3mm) between the throttle grip end and the handguard to ensure a free closing throttle. Check operation of all handlebar controls, specifically the throttle, front brake, kill switch and clutch to ensure they are operating correctly and are in accordance with the OEM specifications. Do not ride the motorcycle if any controls are not operating correctly. Check periodically that all bolts are tight.

**Disclaimer:**

A failure to follow these fitting instructions could cause serious injury, death or property damage. These handguards are intended solely for use with motorcycles/ATV/snowmobiles/scooters that have not been modified. They are not designed to prevent injury or death while riding or in an accident or crash. The user must ensure that all controls are free of the handguards every time that they ride. By installing and/or using this product you acknowledge that you accept these terms and have followed the fitting instructions.



Phone: +61 (0)2 4271 8244  
Email: info@barkbusters.net  
Web: www.barkbusters.net

