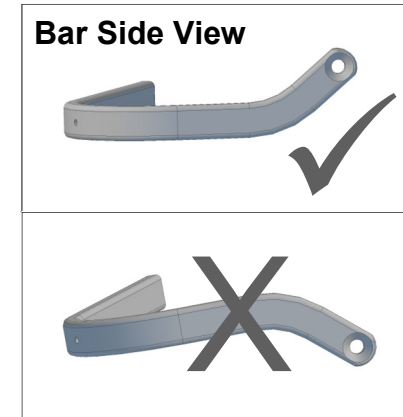
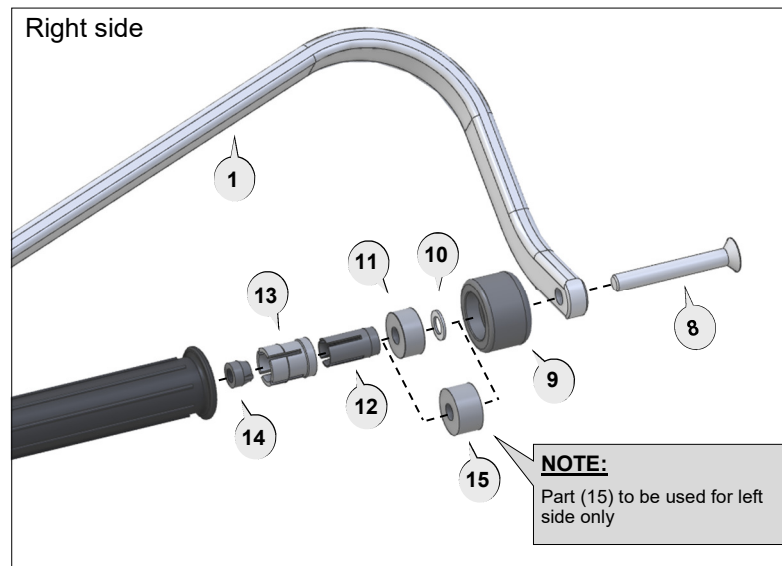
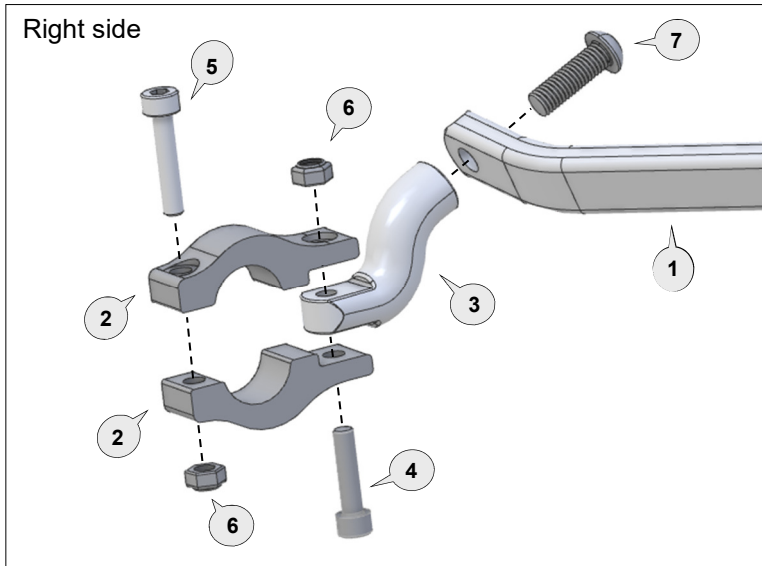


**Preparation**

Remove original bar end weights.



**Fitting Procedure**

Loosely assemble clamp to handlebar as per diagram. For an easier installation on the right side, the 25mm M6 screw (4) needs to be mounted head down. The screw can be mounted head up for the left side. Attach backbone with applicable parts to the handlebar and also to the clamp connector (3).

**Note:** Preferred backbone position is horizontal when viewed from side.

Tighten bolt (8) at the handlebar end.

Tighten Clamp bolts in the following order:

**Tighten bolt (7)** through the aluminium bar (1) to the clamp connector (3) of the clamp assembly.

**Tighten bolt (4)** to solidly lock the clamp connector (3) between the clamp saddles (2).

**Tighten bolt (5)** to secure the clamp assembly firmly to the handlebar.

Use recommended torque specifications over page.

**Personalise Your Protection**  
Guard options sold separately

<b>JET</b>	JET-003
<b>VPS</b>	VPS-003
<b>Storm</b>	STM-003
<b>CARBON</b>	BCF-003



Phone: +61 (0)2 4271 8244  
Email: info@barkbusters.net

<p><b>1</b> Aluminium Bar</p>  <p>PN: BAR-V-030 Pcs. 1 Left &amp; 1 Right</p>	<p><b>2</b> Clamp Saddle</p>  <p>PN: CS-STD Pcs. 4 pieces</p>	<p><b>3</b> Clamp Connector</p>  <p>PN: CP5 Pcs. 2</p>	<p><b>4</b> Socket Head Bolt 25mm</p>  <p>PN: M6x25SHCSZP Pcs. 2</p>	<p><b>5</b> Socket Head Bolt 30mm</p>  <p>PN: M6x30SHCSZP Pcs. 2</p>	<p><b>6</b> Nylock Nut</p>  <p>PN: M6LN Pcs. 4</p>	<p><b>7</b> Button Head Bolt 25mm</p>  <p>PN: M8x25BHCSZP Pcs. 2</p>	<p><b>8</b> Flat Head Bolt 65mm</p>  <p>PN: M8x65FHCSZP Pcs. 2</p>								
<p><b>9</b> Bar End Weight</p>  <p>PN: BEW-35 Pcs. 2</p>	<p><b>10</b> M8 Flat Washer</p>  <p>PN: M8FW-SS Pcs. 1</p>	<p><b>11</b> Spacer</p>  <p>PN: SP7-SP12 Pcs. 1</p>	<p><b>12</b> Bar End Expander</p>  <p>PN: BBE14A Pcs. 2</p>	<p><b>13</b> Collet</p>  <p>PN: COLLET14-18 Pcs. 2</p>	<p><b>14</b> Nut 12mm two wings</p>  <p>PN: NUT12 Pcs. 2</p>	<p><b>15</b> Spacer</p>  <p>PN: BSSRT15 Pcs. 1</p>	<table border="1"> <thead> <tr> <th colspan="2">Recommended Torque Settings</th> </tr> </thead> <tbody> <tr> <td>M6</td> <td>10 Nm (7.4 lbf ft)</td> </tr> <tr> <td>M8</td> <td>28 Nm (20.7 lbf ft)</td> </tr> <tr> <td>M16</td> <td>21Nm (15.5 lbf ft)</td> </tr> </tbody> </table>	Recommended Torque Settings		M6	10 Nm (7.4 lbf ft)	M8	28 Nm (20.7 lbf ft)	M16	21Nm (15.5 lbf ft)
Recommended Torque Settings															
M6	10 Nm (7.4 lbf ft)														
M8	28 Nm (20.7 lbf ft)														
M16	21Nm (15.5 lbf ft)														

### CAUTION:

Installation of the handguard is safety-relevant work and can be complicated. We recommend the installation be performed by a motorcycle service technician. Rideworx accepts no liability for damages caused by improper mounting. All screws, bolts and nuts, including all replacement hardware provided by Rideworx, should be tightened to the torque specified in the below table. After the first 50km of riding check all screws, bolts and nuts are tightened to the correct torque. We recommend a medium strength liquid thread lock product on all fasteners.

### WARNING:

It is important there is a working clearance (approx 3mm) between the throttle grip end and the handguard to ensure a free closing throttle. Check operation of all handlebar controls, specifically the throttle, front brake, kill switch and clutch to ensure they are operating correctly and are in accordance with the OEM specifications. Do not ride the motorcycle if any controls are not operating correctly. Check periodically that all bolts are tight.



**RIDEWORX**

Phone: +61 (0)2 4271 8244  
Email: [info@barkbusters.net](mailto:info@barkbusters.net)  
Web: [www.barkbusters.net](http://www.barkbusters.net)



### Disclaimer:

A failure to follow these fitting instructions could cause serious injury, death or property damage. These handguards are intended solely for use with motorcycles/ATV/snowmobiles/scooters that have not been modified. They are not designed to prevent injury or death while riding or in an accident or crash. The user must ensure that all controls are free of the handguards every time that they ride. By installing and/or using this product you acknowledge that you accept these terms and have followed the fitting instructions.